

HARDWARE

A. Short pole - 3pcs



B. Middle pole - 3pcs



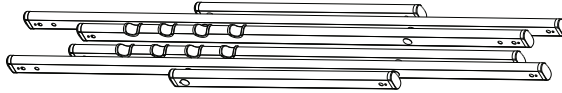
C. Long pole - 1pcs



D. Fabric pole (with cap) - 2pcs



E. Frame - 2pcs



F. Fabric - 1pc



G. L-Shaped Hex Key Wrench - 1pc



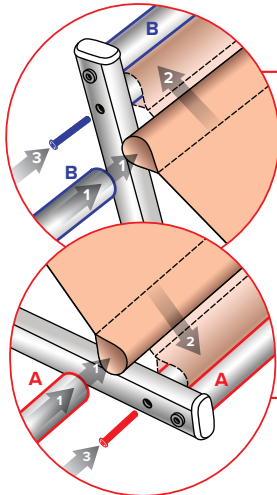
H. Screw - 14pcs



WAYS TO ATTACH FABRIC: PERMANENT OR REMOVABLE

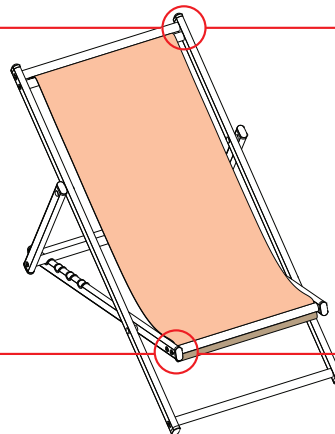
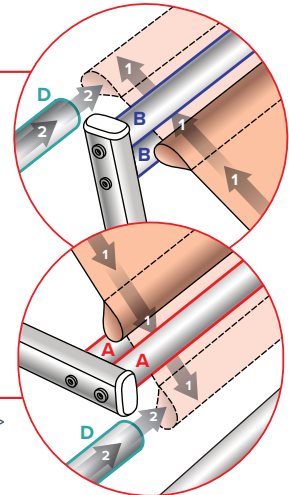
OPTION 1

PERMANENT - using a *frame pole*

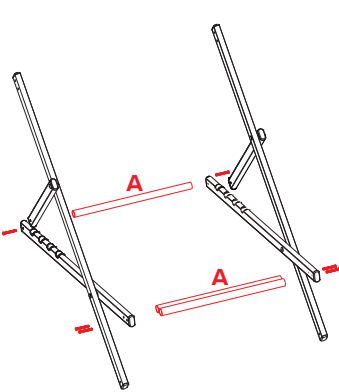


OPTION 2:

EASILY REMOVABLE - using a *fabric pole*

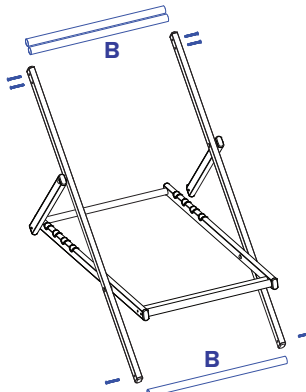


SETTING UP FRAME



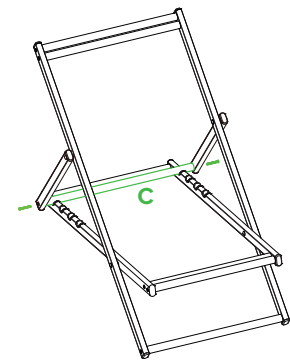
STEP 1

Install the three short poles (A) onto the inner frame.
Choose how you want to attach fabric (see image above)



STEP 2

Install the three middle poles (B) onto the outer frame.
Choose how you want to attach fabric (see image above)



STEP 3

Install the long pole (C) onto the back support frame.
For removable seat option, attach fabric using fabric poles (D)